

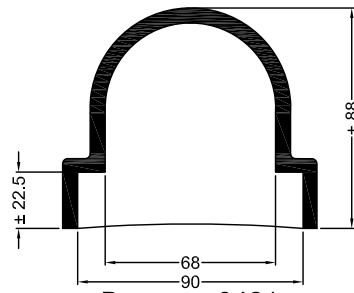


**Die Maß-Zeichnungen der Gummi End-Stücken auf die folgenden Seiten werden Ihnen angeboten von**

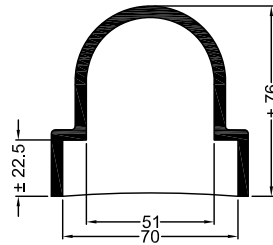


**DINTRA TRANSMISSIES V.O.F.**

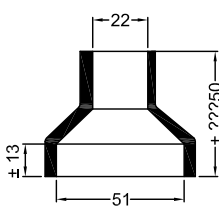
Keizerswoert 30 - 3881 LE - Putten - NL  
Tel.: +31(0)341-353712 - Fax +31(0)341-360046  
www.dintra.com - info@dintra.nl



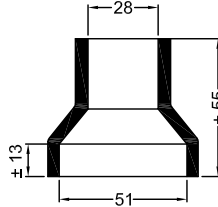
Bowman 3421



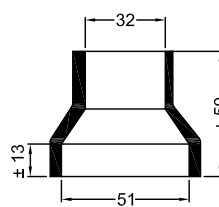
Bowman 3419



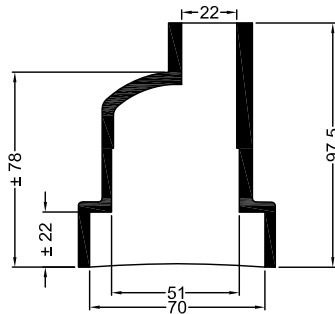
Bowman 3365



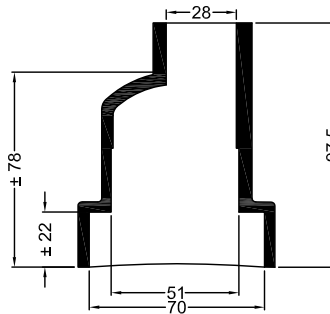
Bowman 3366



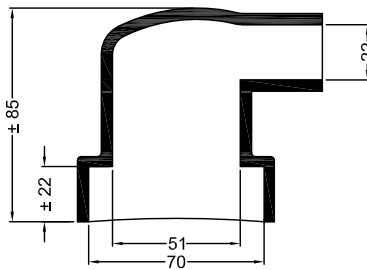
Bowman 3367



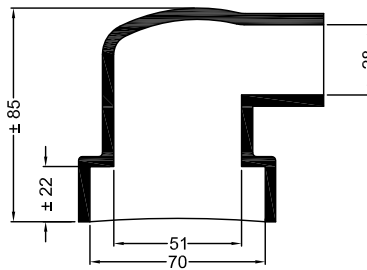
Bowman 3251



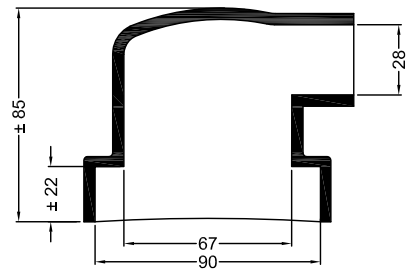
Bowman 3667



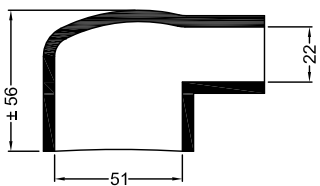
Bowman 2679



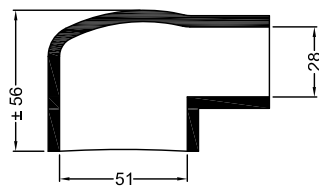
Bowman 3186



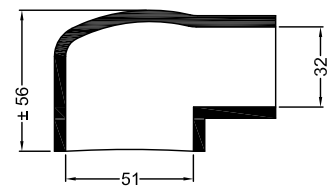
Bowman 3192



Bowman 2680



Bowman 3187

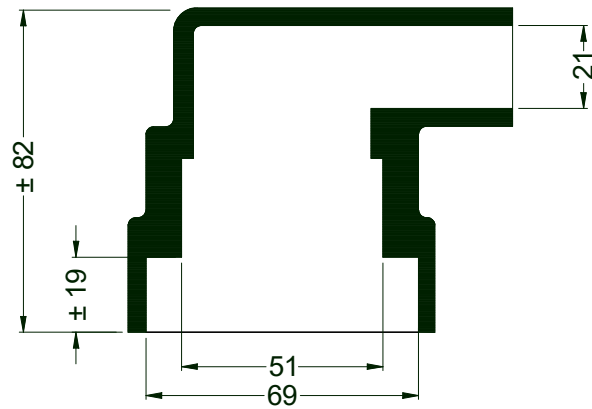


Bowman 3716

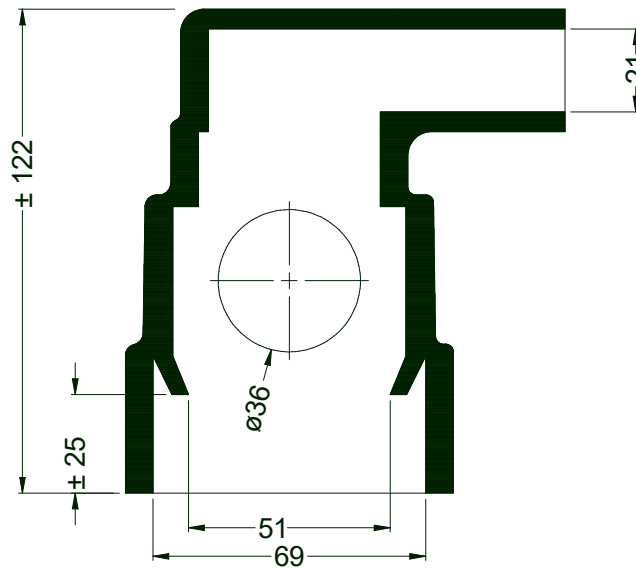
The dimensions stated above are indications only.  
 Due to the fact that the material is rubber, more exact dimensions can not be given.

B	x	x	x	x	x
A	x	Rubber moulding Bowman	Rubber	See Dimension Drawing	x
Partnummer	Quantity	Name	Material and/or subassembly	Norm or size	Remark

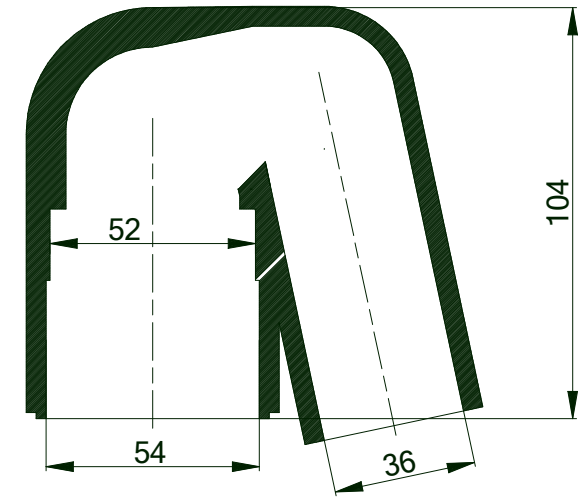
American Projection		Description	Rubber moulding	Issue	Date	Change	Drawing nr.
Drawn by	Gert van Nieuwenhuizen	Scale	1 : 1 ±1mm	A	10-05-2010	Released	Rubber moulding Bowman
Checked by	Erdogan	unit of measur.	mm				Sheet 1/1
<b>DINTRA TRANSMISSIES V.O.F.</b>							Surface Roughness 1,6 Ra
Remarks							



DTN 1 connection



DTN 2 connections

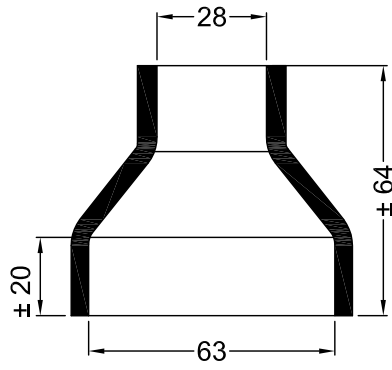


DTN connection 180°

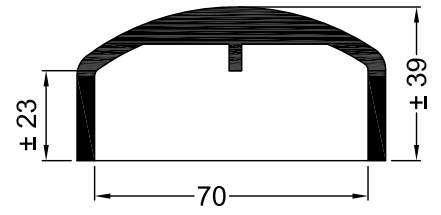
The dimensions stated above are indications only.  
 Due to the fact that the material is rubber, more exact dimensions can not be given.

B	x	x	x	x	x
A	x	Rubber moulding DTN	Rubber	See Dimension Drawing	x
Partnummer	Quantity	Name	Material and/or subassembly	Norm or size	Remark

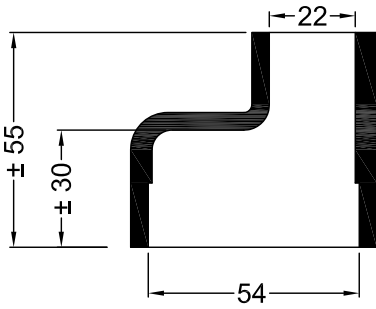
American Projection		Description	Rubber moulding	Issue	Date	Change	Drawing nr.
Drawn by	Gert van Nieuwenhuizen	Scale	1 : 1 ±1mm	A	10-05-2010	Released	Rubber moulding DTN
Checked by	Erdogan	unit of measur.	mm	B	24-08-2020	180° connection changed	Sheet 1/1
<b>DINTRA TRANSMISSIES V.O.F</b>		Remarks	.				Surface Roughness
							1,6 Ra



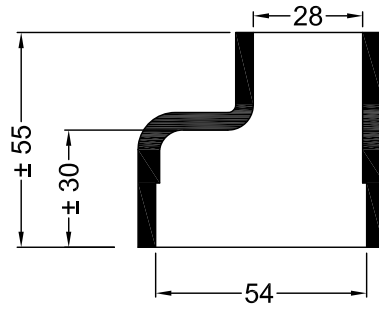
Polar A4/670



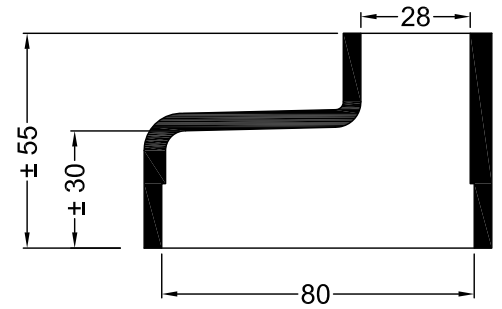
Polar A3/703



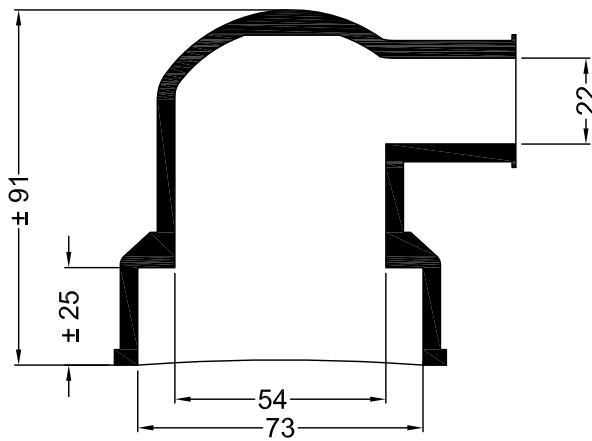
Polar A3/727



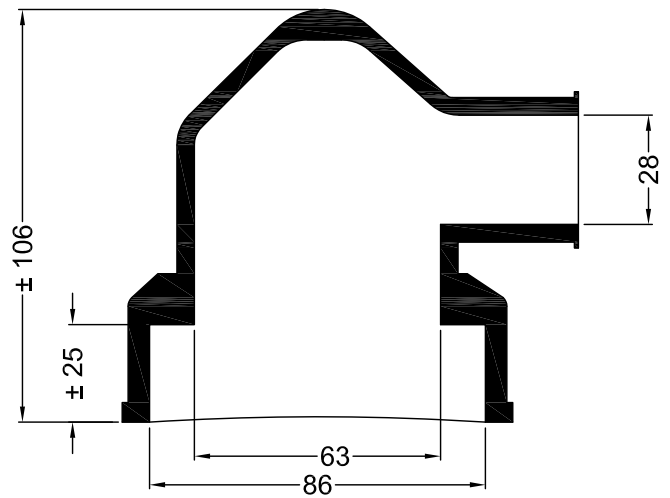
Polar A3/728



Polar A3/635



Polar A3/783

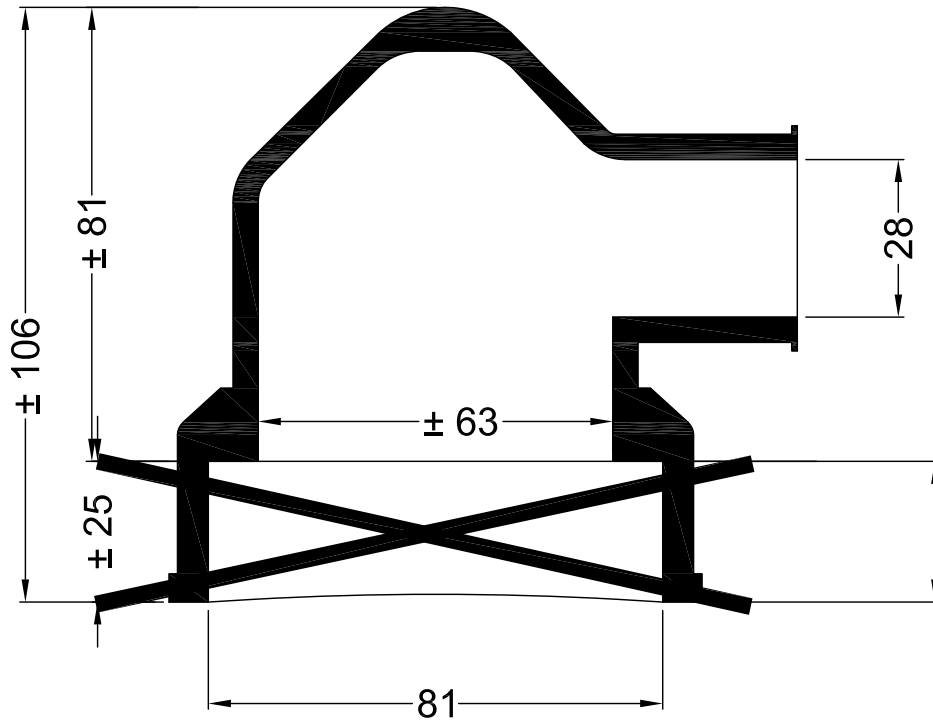


Polar A3/636

The dimensions stated above are indications only.  
 Due to the fact that the material is rubber, more exact dimensions can not be given.

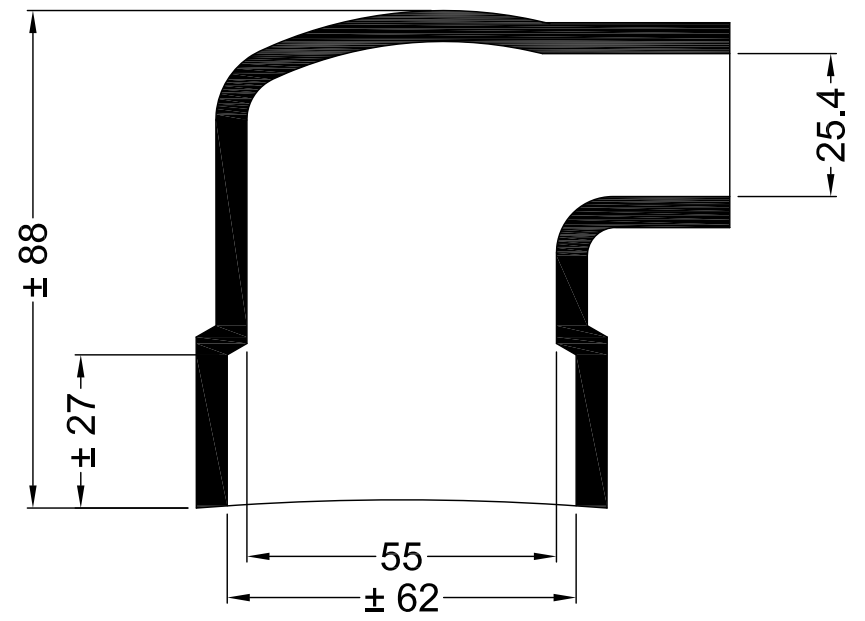
B	x	x	x	x	x
A	x	Rubber moulding Polar	Rubber	See Dimension Drawing	x
Partnummer	Quantity	Name	Material and/or subassembly	Norm or size	Remark

American Projection		Description	Rubber moulding	Issue	Date	Change	Drawing nr.
Drawn by	Gert van Nieuwenhuizen	Scale	1 : 1 ±1mm	A	10-05-2010	Released	Rubber moulding Polar
Checked by	Erdogan	unit of measur.	mm				Sheet 1/1
<b>DINTRA TRANSMISSIES V.O.F.</b>		Remarks	.				Surface Roughness
							1,6 Ra



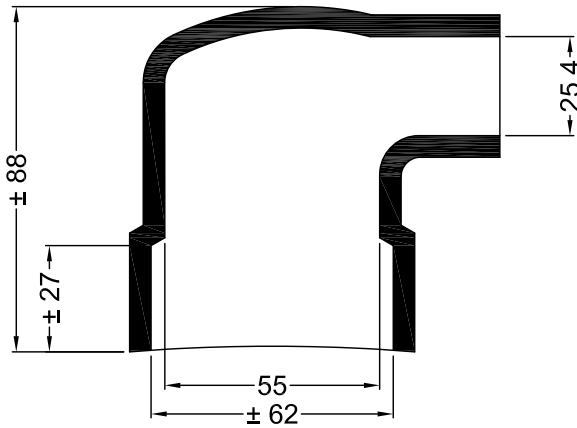
Polar A3/636

Remove this part of the moulding

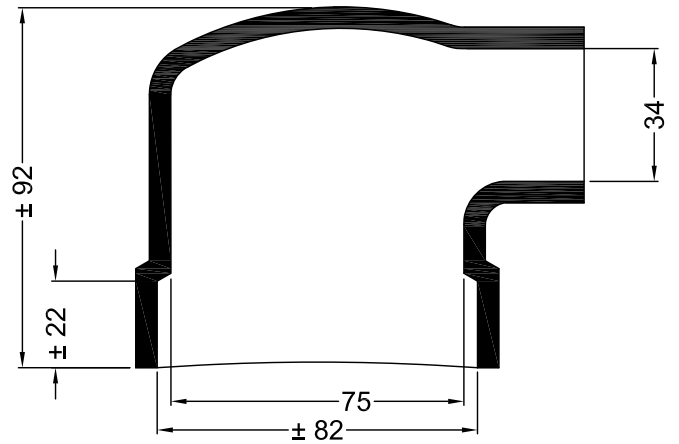


universal Ø55

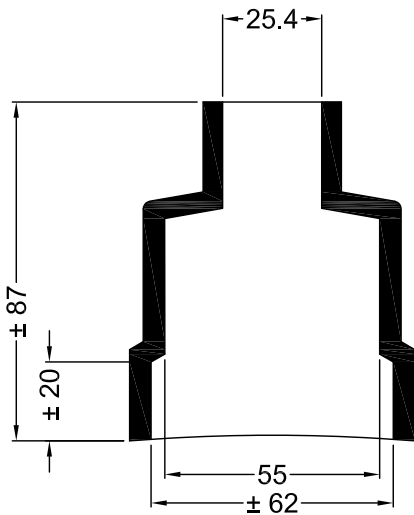
The Polar rubber moulding A3/878 (Ø63mm) is not available anymore.  
 We can supply a standard Ø55 end cap or the polar end cap A3/636 instead



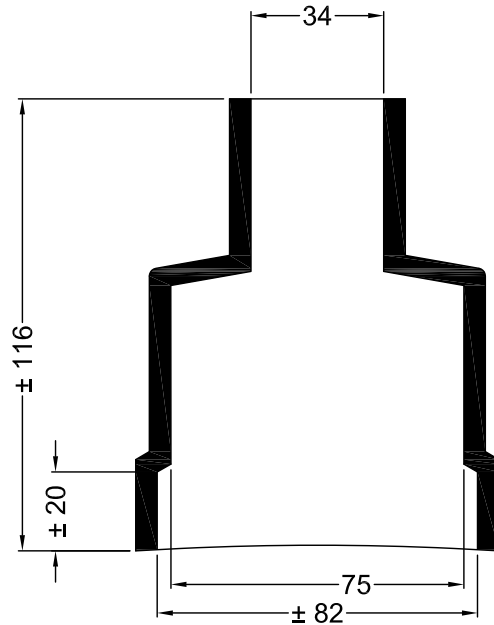
universal Ø55 - 90° bend



universal Ø75 - 90° bend



universal Ø55 straight



universal Ø75 straight

The dimensions stated above are indications only.  
 Due to the fact that the material is rubber, more exact dimensions can not be given.

B	x	x	x	x	x
A	x	Rubber moulding universal	Rubber	See Dimension Drawing	x
Partnummer	Quantity	Name	Material and/or subassembly	Norm or size	Remark

American Projection		Description	Rubber moulding	Issue	Date	Change	Drawing nr.
Drawn by	Gert van Nieuwenhuizen	Scale	1 : 1 ±1mm	A	10-05-2010	Released	Rubber moulding universal
Checked by	Erdogan	unit of measur.	mm				Sheet 1/1
<b>DINTRA TRANSMISSIES V.O.F.</b>		Remarks	.				Surface Roughness
							1,6 Ra