

- **Description of parts and functions:**

Type TRIFLEX 2

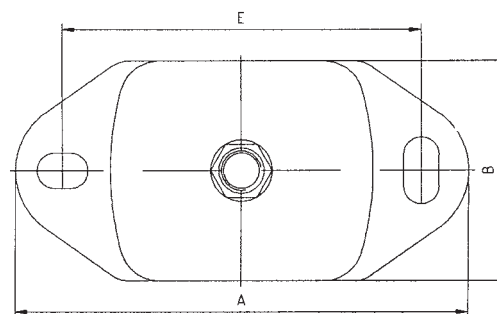
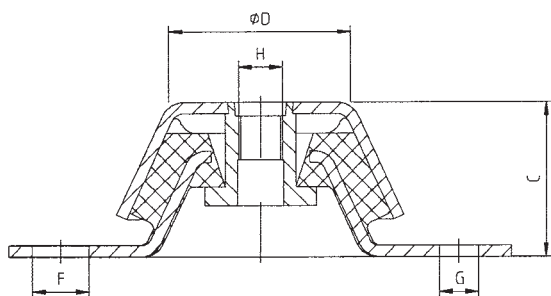
The GMT-TRIFLEX 2 bearing was developed for the insulation of static and mobile machines and engines. The compact bearing is easy to install and allows to control vibrations in three directions. The special design of TRIFLEX 2 guarantees different degrees of stiffness in the three main axis, high spring deflection, carrying power and a long-lasting bearing.

The bearing has been designed for loads from 10 kg to 720 kg per bearing and allows for a spring deflection of up to 6 mm. The TRIFLEX 2 bearings are available in three sizes, and each size comes with different degrees of hardness for the rubber.



- **Dimensions:**

Item number	A [mm]	B [mm]	C [mm]	D [mm]	E [mm]	F [mm]	G [mm]	H	Weight [kg]
100 020	120	60	40	60	100	11 x 14	11 x 14	M12	0.35
100 021	183	75	50	75	140	20 x 13	13 x 30	M16	0.88
100 022	230	112	70	80	182	26 x 18	18 x 34	M20	2.4

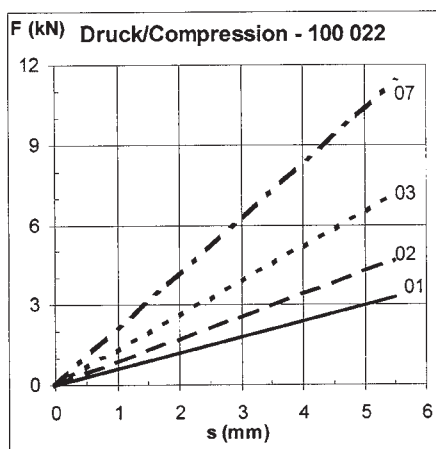
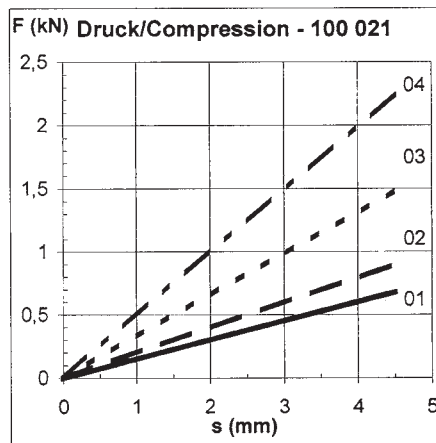
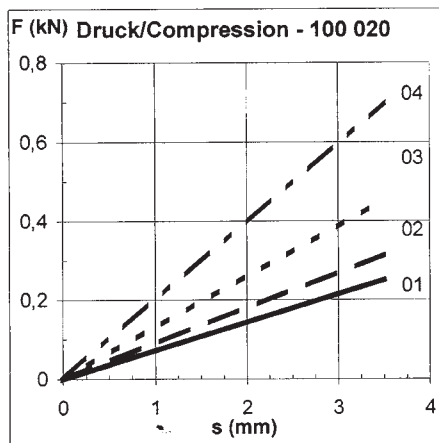


- **Spring characteristics:**

The diagrams show the actual deflection during static loads for each TRIFLEX 2. The end points of the lines are the maximum values of static loads and deflection.

TRIFLEX 2 has been fitted with spring stops in order to avoid any excessive movement during thrust loads. Upon request, the bearings can be made height-adjustable.

All information provide here serves to give you a general understanding of our product line. If you want to know more about specific applications, please contact us, and we will send you additional technical information.



There is a possible deviation of approx. +/-20% in the above values due to production and hardness tolerances.